



Finishing And Installation Guide For MDF

A. Preparation For Finishing

We strongly suggest always finishing your mouldings before installation. It is particularly important if the trim is a different color from the walls.

Step 1) Apply a coat of high quality oil or latex paint.

Step 2) Install using an air nailer (we use a Senco Air Nailer or a Campbell Hausfield 3/8" - 1 1/4" 18-ga Brad Nailer) or pre-drill and nail. Use 18 gauge nails.

Step 3) After the installation of the mouldings, counter sink and fill all nail holes with latex wood filler and allow to completely dry. There will be no counter sinking required if an air nailer was used.

Step 4) Sand all wood filler completely flat. Use of a flat block as a backer on flat areas and a piece of dowel, of approximately the same size as the curve in the moulding, can be used to maintain the profile.

Step 5) Repaint the face of all mouldings with a final coat of high quality paint. By having painted the trim before installation, it will be much easier to keep the paint from spreading onto the wall, as it will not be necessary to paint the edges where it meets the painted or wall papered wall.

B. Installation

Baseboard Install either mitering or coping inside and outside corners. If using Cornerbrook or the Princeport Corners all cuts are 90 degrees with no miters.

Base Corner Blocks Cut blocks to length to fit the height of the baseboard in use. The bottom of the Cornerbrook profile should be approximately 1/4" above the top edge of the baseboard. **{See Diagram #1}** Princeport and Radcliff corners will be cut to match the height of the baseboard.

Casing Install using standard methods. Note the back relief is offset so that one shoulder sits completely on the jamb. This helps allow for any unevenness in the gyproc or jamb width. Install leaving a 1/8" reveal on the jamb.

Corner Blocks Corner blocks are 3/8" larger than the casing. This allows for one corner of the block to set flush with the edge where the side and header jamb meet. This gives a 1/8" reveal on the bottom of the block on the jamb side and a 1/4" reveal past the casing on the outside. **{See Diagram #2}**

Baseblocks Sizes correspond to the size of the casing and baseboard. The inside of the block is intended to line up with the jamb side of the casing, giving a continuous 1/8" reveal on the jamb. This will give a 1/4" reveal on the block past the outside edge of the casing. **{See Diagram #3}**

Crown No Cut Corners Install using compound miterer joints, by coping or using our No Cut

Corners. These are available for Glenholme IV and Glenholme V in inside and outside corners.

Corners See installation instructions for No Cut Corners.

Installation Diagrams

Diagram 1

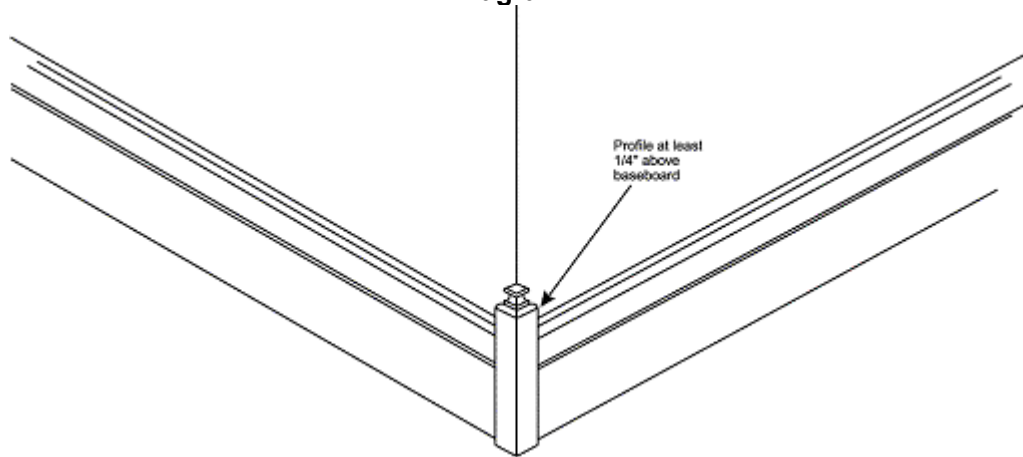


Diagram 2

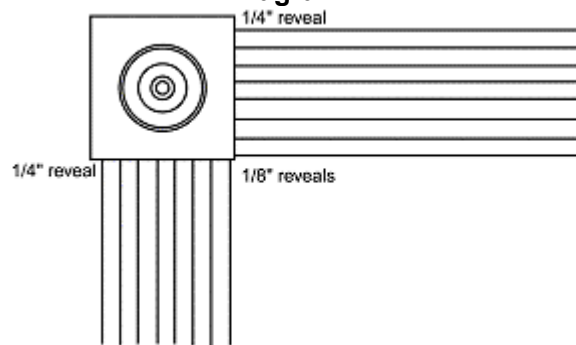


Diagram 3

